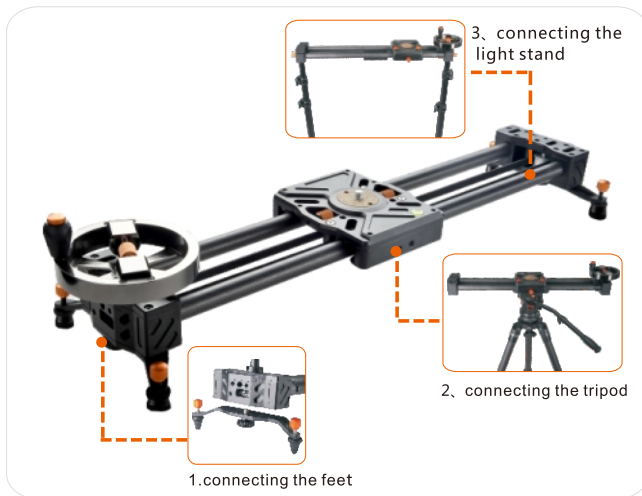


## Setting Up



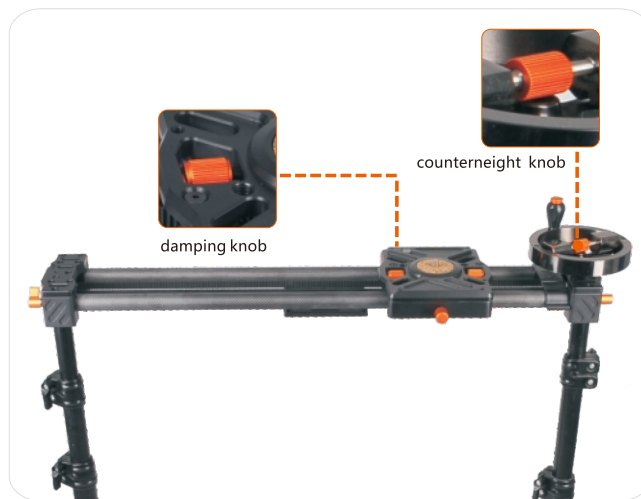
1. Attach the slider to tripod or light stand through bottom standard screw. If put it on ground, please install the feet.



3. Attach the head or camera to the slider.



2. Install the wheel on the slider, make sure to tighten the screw in order to avoid it fall down.



4. Adjusting the counterweight knob or damping knob to get your request speed and perfect shooting.



The magic life in the image world

# E-IMAGE

[www.eimagevideo.com](http://www.eimagevideo.com)

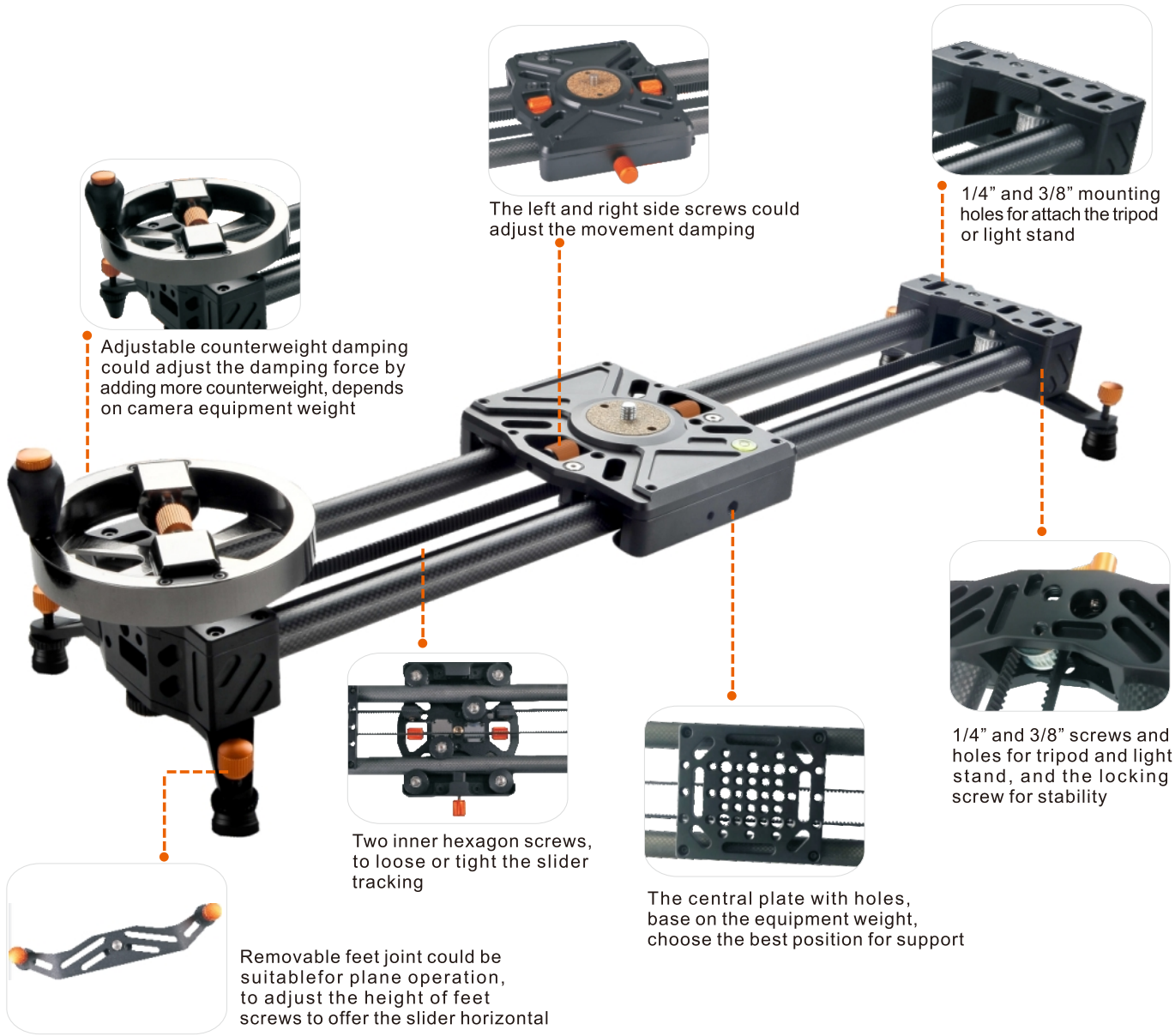
## EIMAGE SLIDER

### Specification & Operation Manual



### Function and Feature

1. Equipped high precision and top grade S3M gear drive belt unit.
2. Unique dual rail system provides easy to adjust and precise solution for slider tracking.
3. Counterweight damping structure offers perfect stability.
4. 16 top grade exported silence bearings.
5. 1/4" and 3/8" mounting holes for attaching the tripod or light stand.
6. 100% pure carbon fiber strengthen the stability of slider tracking.
7. One-piece aluminum process offers light weight , strength and toughness, the custom anodized surface treatment increase durability and abrasion resistance.



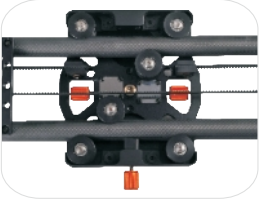
Adjustable counterweight damping could adjust the damping force by adding more counterweight, depends on camera equipment weight



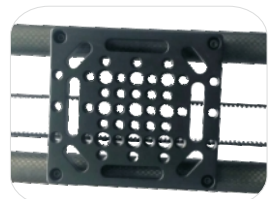
The left and right side screws could adjust the movement damping



1/4" and 3/8" mounting holes for attach the tripod or light stand



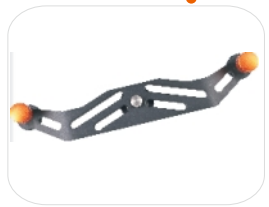
Two inner hexagon screws, to loose or tight the slider tracking



The central plate with holes, base on the equipment weight, choose the best position for support



1/4" and 3/8" screws and holes for tripod and light stand, and the locking screw for stability



Removable feet joint could be suitable for plane operation, to adjust the height of feet screws to offer the slider horizontal

### List of products



### Products Specification

Model No.	ES-70	ES-90	ES-120
Material	Carbon Fiber		
N.W.	3.25kg	3.35kg	3.50kg
Tube Dia.	22mm	22mm	22mm
Slide Length	650mm	850mm	1150mm
Max.Load	10kg	8kg	6kg

### Product Maintenance

1. Do not over tighten the screws and knob, which will damage the parts, or too loose, which may fall down.
2. Please remove any dust and clutter at the joint area before connecting the rail.
3. The counterweight could be removed, please note it falling down when vertical or turnover.
4. After using in rain, snow or wet weather, please clean and pack it after it dried.
5. Do not operate it violently, don't storage it be covered.

### Manufacturer

## NINGBO EIMAGE STUDIO EQUIPMENT CO., LTD

Add: NO.373 South Hangyong Road, Luotuo Industry Zone, Zhenhai, Ningbo, China 315202  
 Tel: +86-574-86590031/86590061 Fax: +86-574-86590078  
 E-mail: sales@eimagevideo.com